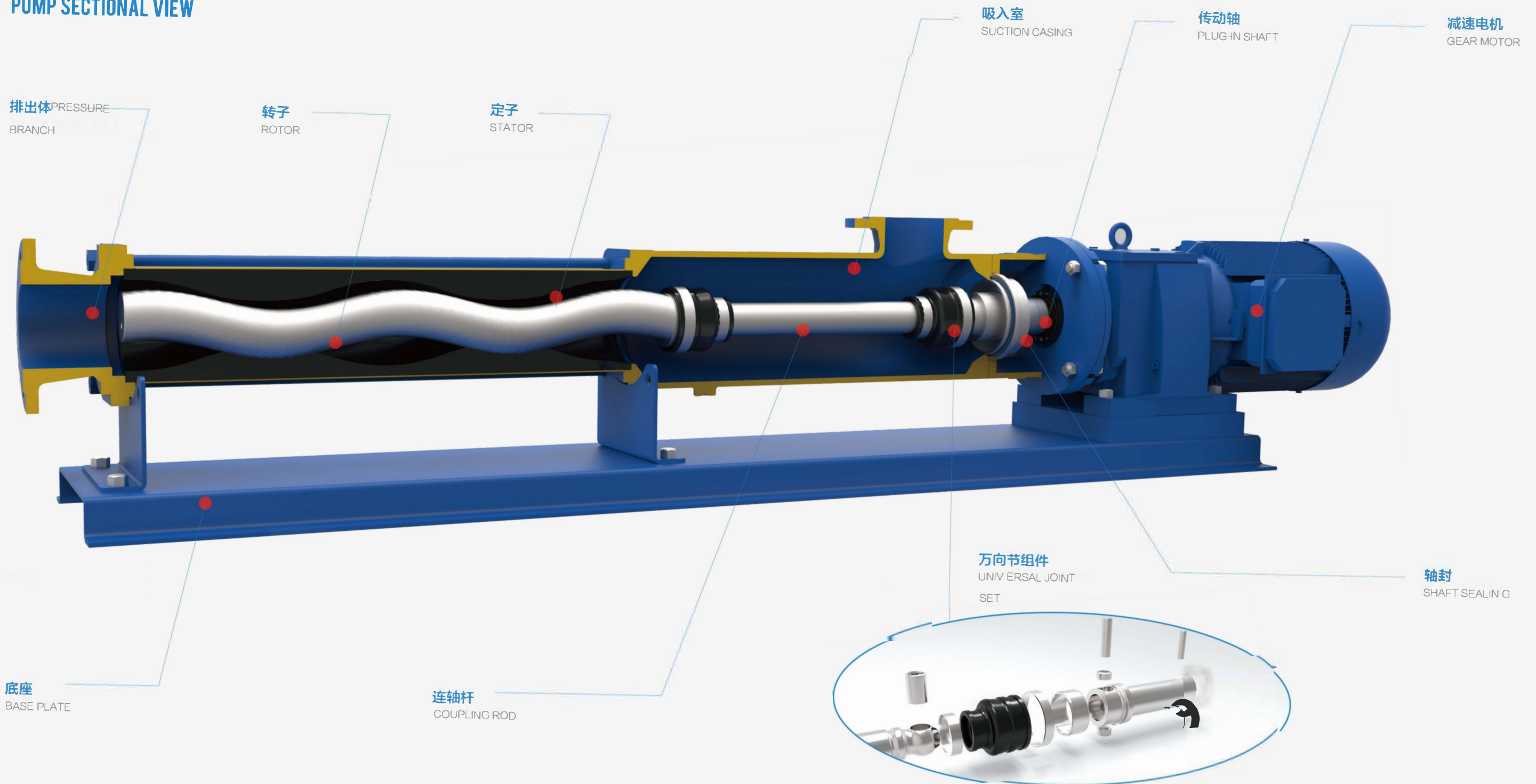


**泵型解剖图**  
**PUMP SECTIONAL VIEW**

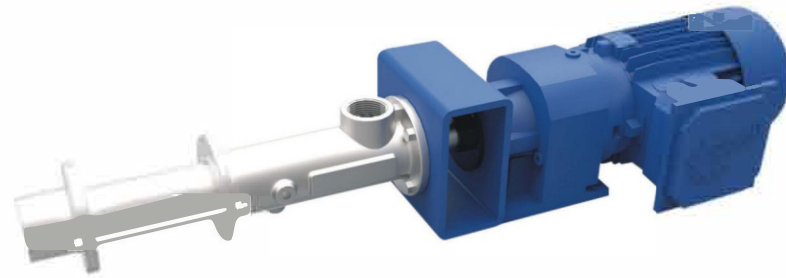


标准泵系列  
STANDARD PUMP SERIES

标准泵系列  
STANDARD PUMP SERIES

MD系列-计量药泵  
MD SERIES-DOSING PUMP

计量精度 / Measurement accuracy: <1%  
流量范围 / Capacity range: 0.1-250 l/h  
压力范围 / Pressure range: 0-24 bar



MF系列-矩形接口泵  
MF SERIES-HOPPER PUMP

流量范围 / Capacity range: 0.5-120 m³/h  
压力范围 / Pressure range: 0-24 bar



MN系列-通用型泵  
MN SERIES-GENERAL PUMP

流量范围 / Capacity range: 0.5-300m³/h  
压力范围 / Pressure range: 0-24 bar



MSF系列-带轴承座矩形接口泵  
MSF SERIES-BEARINGHOUSE & HOPPER PUMP

流量范围 / Capacity range: 0.5-120 m³/h  
压力范围 / Pressure range: 0-48 bar



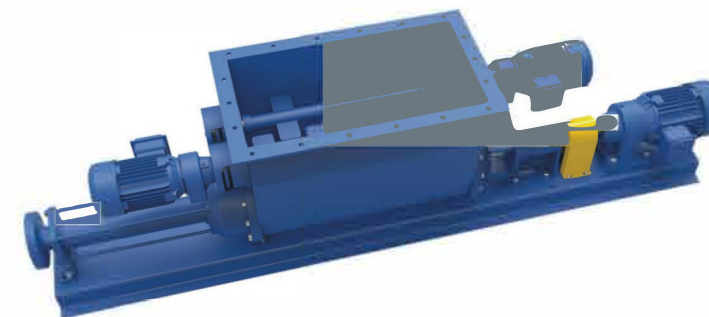
MSN系列-带轴承座结构泵  
MSN SERIES-BEARING HOUSE PUMP

流量范围 / Capacity range: 0.5-150m³/h  
压力范围 / Pressure range: 0-48 bar



MSP系列-带破桥装置泵  
MSP SERIES-BRIDGEBREAKER PUMP

流量范围 / Capacity range: 0.5-60 m³/h  
压力范围 / Pressure range: 0-48 bar



## 标准泵系列 STANDARD PUMP SERIES

### MH系列-立式泵 MH SERIES - VERTICAL PUMP

流量范围 / Capacity range: 0.5-120 m<sup>3</sup>/h  
压力范围 / Pressure range: 0-12 bar



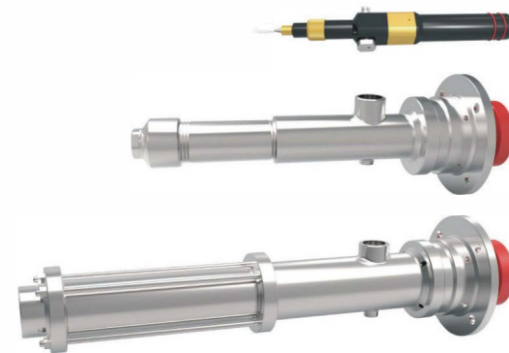
### MZ系列-食品卫生泵 MZ SERIES - FOOD HYGIENE PUMP

流量范围 / Capacity range: 0.5-50 m<sup>3</sup>/h  
压力范围 / Pressure range: 0-24 bar



### MDJ系列-点胶泵 MDJ SERIES - ADHESIVE PUMP

计量精度 / Measurement accuracy: <1%  
流量范围 / Capacity range: 0.02-50 ml/r  
压力范围 / Pressure range: 0-18 bar



## 型号定义 MODEL DESCRIPTION

MN 10 - 1 L C 1 R M

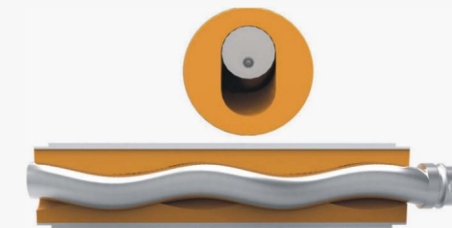


密封形式 / Seal type: M/机封Machinery seal; P/填料 Packing seal  
定子材质 / Stator material: R/ NBR; E/三元乙丙 EPDM; F/FKM; H/HNBR  
转动部件材质 / RTE material: 1/工具钢tool steel; 2/304; 3/316; 4/双向不锈钢DSS  
泵体材质 / Pump body material: C/碳钢 iron steel; S/不锈钢Stainless steel  
转子 / 定子几何级数: Rotor / stator shape: L, S, P, D  
泵级数 / Pump stage: 1,2,3,4,6,8  
型号: Model  
泵系列 / Pump series: N, SN, F, SF, SP, D, Z, DJ,  
企业标识 / PAPI pump

### 单螺杆泵转子/定子几何体及螺距介绍:

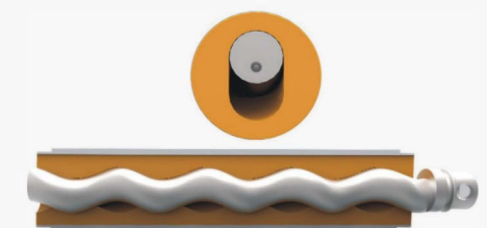
#### L型 / L type

单头 / 长螺距  
single head / long pitch



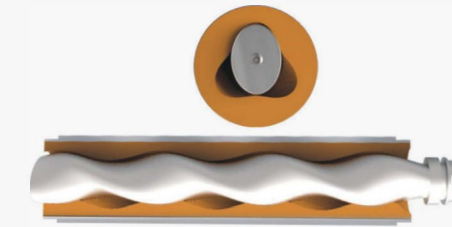
#### S型 / S type

单头 / 短螺距  
single head / short pitch



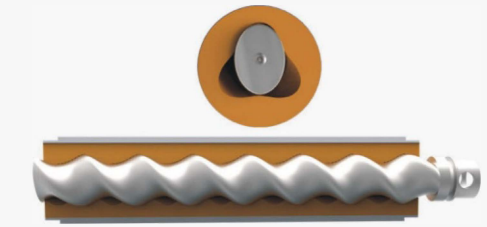
#### M型 / M type

双头 / 长螺距  
double heads / short pitch



#### D型 / D type

双头 / 短螺距  
double heads / Short pitch



## 材质介绍

### MATERIAL INTRODUCTION

#### 螺杆泵橡胶部件材质介绍/Rubber Material Information

材质/Material	耐腐蚀性/Corrosion Resistance	耐溶胀/Swelling Resistance	耐磨蚀/Wear Resistance	耐温范围/Temperature Range
丁晴橡胶/NBR	一般/OK	好/Good	好/Good	110℃
三元乙丙橡胶/EPDM	好/Good	差/Bad	好/Good	120℃
氟橡胶/KFM	很好/Very Good	很好/Very Good	一般/OK	180℃
氢化丁晴橡胶/HNBR	很好/Very Good	好/Good	好/Good	170℃
聚四氟乙烯/PTFE	很好/Very Good	很好/Very Good	差/Bad	230℃

#### 螺杆泵金属部件材质介绍/Metal material Information

材质/Material	耐腐蚀性/Corrosion Resistance	耐磨性/Wear Resistance
合金钢+镀硬铬/Tool Steel+CP	好/Good	很好/Very Good
不锈钢/SS304	好/Good	好/Good
不锈钢/SS316	很好/Very Good	好/Good
不锈钢304+镀硬铬/SS304+CP	好/Good	很好/Very Good
不锈钢316+镀硬铬/SS316+CP	好/Good	很好/Very Good
双相不锈钢/DSS	非常好/Excellent	好/Good
双相不锈钢+镀硬铬/DSS+CP	非常好/Excellent	好/Good

#### 整机配置说明/PAPU Whole Set Pump Description

序号	名称Name	备注 Remark
1	定子 Stator	NBR, EPDM, KFM, HNBR, PTFE
2	转子 Rotor	SS304, SS316L, 双相不锈钢DSS, 合金钢Tool Steel
3	连接杆 Coupling Rod	SS304, SS316L, 双相不锈钢DSS, 合金钢Tool Steel
4	传动轴 Plug-in Shaft	SS304, SS316L, 双相不锈钢DSS, 合金钢Tool Steel
5	密封 Sealing	机械密封Machinery Seal, 填料密封 Packing Seal
6	减速电机 Gear Motor	诺德电机或瑞德森等 NORD or XL-MOTOR etc.

如果您对于定子, 转子材质有特殊要求, 或您对实际工况不确定选用什么材质, 请联系我们。

If you have special material requirement of stator and rotor, or you have no idea about what material suit for you, don't hesitate to contact us.

## 螺杆泵流量选型表

### SELECTION DATA

泵型号 Pump Type	压力范围 Pressure Range (bar)	流量范围 Capacity Range (m <sup>3</sup> /h)	转速范围 Speed Range (rpm)	进口尺寸 Inlet Size (G/DN)	出口尺寸 Outlet Size (G/DN)	电机功率 Motor Power (KW)
MN025-2S	0~12	0~0.25	0~350	G1¼	G1¼	0.37
MN05-1L	0~6	0~0.5	0~350	G1¼	G1¼	0.37
MN05-2S	0~12	0~0.5	0~350	G1¼	G1¼	0.75
MN1-1L	0~6	0~1	0~350	G1¼	G1¼	0.75
MN1-2S	0~12	0~1	0~350	50	50	1.5
MN1-4S	0~24	0~0.5	0~250	50	50	3
MN3-1L	0~6	0~3	0~350	50	50	2.2
MN3-2S	0~12	0~2.5	0~350	65	65	3
MN3-4S	0~24	0~1.5	0~250	65	65	5.5
MN5-1L	0~6	0~5	0~320	65	65	3
MN5-2S	0~12	0~5	0~320	80	80	4
MN5-3S	0~18	0~3	0~250	80	80	5.5
MN5-4S	0~24	0~2	0~200	80	80	7.5
MN10-1L	0~6	0~10	0~300	80	80	4
MN10-2S	0~12	0~7	0~300	80	80	5.5
MN10-3S	0~18	0~6	0~250	80	80	7.5
MN10-4S	0~24	0~4	0~200	80	80	11
MN15-1L	0~6	0~15	0~300	80	80	5.5
MN15-2S	0~12	0~12	0~300	100	100	7.5
MN15-3S	0~18	0~10	0~250	100	100	11
MN15-4S	0~24	0~7	0~200	100	100	15
MN25-1L	0~6	0~25	0~280	100	100	7.5
MN25-2S	0~12	0~22	0~300	125	125	11
MN25-3S	0~18	0~15	0~250	125	125	15
MN25-4S	0~24	0~12	0~200	125	125	18.5
MN50-1L	0~6	0~50	0~280	125	125	11
MN50-2S	0~12	0~35	0~250	150	150	22
MN50-3S	0~18	0~30	0~230	150	150	30
MN50-4S	0~24	0~26	0~200	150	150	37
MN80-1L	0~6	0~80	0~280	150	150	22
MN80-2S	0~12	0~60	0~280	150	150	37
MN80-3S	0~18	0~42	0~200	150	150	45
MN80-4S	0~24	0~25	0~150	150	150	55
MN120-1L	0~6	0~120	0~250	150	150	37
MN120-2S	0~12	0~100	0~270	200	200	45
MN120-3S	0~18	0~60	0~180	200	200	55
MN120-4S	0~24	0~50	0~150	200	200	55
MN180-1L	0~6	0~180	0~220	200	200	45
MN180-2S	0~12	0~170	0~220	200	200	55
MN300-1L	0~6	0~300	0~220	200	200	55

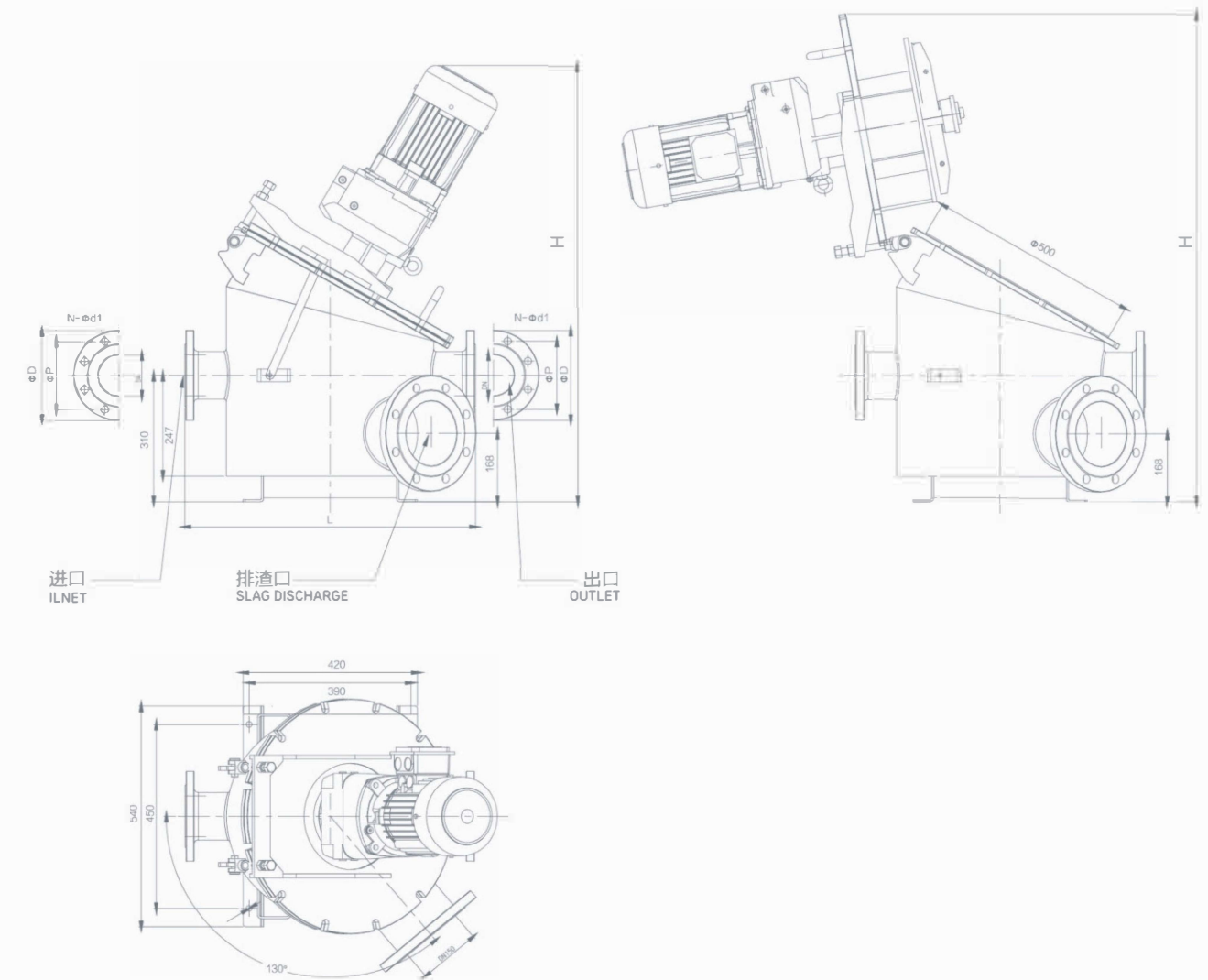
以上流量以20摄氏度清水为参考, 泵的流量与压力在额定转速下成正比关系, 最高压力可达到48bar或更高, 具体需求和我们联系。

Above data is for pure water at 20 °C, the capacity and pressure is proportional to the rated speed. The pressure can reach or above 48 bar, if you have special requirement, don't hesitate to contact us.

## MQ系列切碎机 MQ SERIES GRINDING SYSTEM



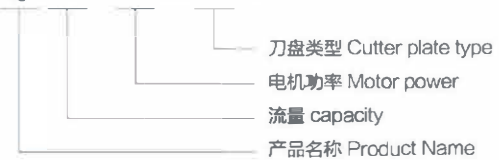
## MQ系列切碎机安装尺寸图 MQ GRINDING SYSTEM INSTALLATION DIMENSION



型号 参数		MQ25-2.2	MQ70-3.0	MQ150-3.0	MQ200-4.0
最大流量	清水	60M <sup>3</sup> /H	125M <sup>3</sup> /H	200M <sup>3</sup> /H	300M <sup>3</sup> /H
	含固量 < 2%	35M <sup>3</sup> /H	100M <sup>3</sup> /H	180M <sup>3</sup> /H	275M <sup>3</sup> /H
	含固量 < 6%	25M <sup>3</sup> /H	70M <sup>3</sup> /H	150M <sup>3</sup> /H	200M <sup>3</sup> /H
	含固量 < 8%	15M <sup>3</sup> /H	40M <sup>3</sup> /H	100M <sup>3</sup> /H	150M <sup>3</sup> /H
刀盘	螺旋方孔型	MQ25-2.2/NC	MQ70-3.0/NC	MQ150-3.0/NC	MQ200-4.0/NC
	圆孔	MQ25-2.2/FC	MQ70-3.0/FC	MQ150-3.0/FC	MQ200-4.0/FC
减速电机	功率 (KW)	2.2	3	3	4
	转速 (RPM)	318	318	318	318
进出口法兰		DN100/PN16	DN125/PN16	DN150/PN16	DN250/PN16
进出口法兰距离 L		700	700	700	760

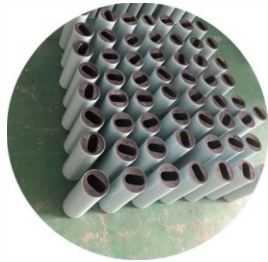
### 型号定义 MODEL DESCRIPTION

#### MQ70-3.0/FC



# 单螺杆泵配件中心:全心全意打造智能化配件超市

## SINGLE SCREW PUMP SPARE PARTS CENTER: CREATE INTELLIGENT ACCESSORIES SUPERMARKET



### 1. 系列全 / Full range products

可以提供各种进口品牌单螺杆泵通用配件, 仓库面积达800m<sup>2</sup>, 可实际一站式采购。  
We can offer standard replaceable spare parts of Netszch, Seepex, Mono, Allweiler, MOYNO, PCM, Wangen and so on, with 800 m<sup>2</sup> warehouse. It make one stop solution of single screw pump possible.



### 2. 精度高 / High precision

技术来源于德国, 每个零配件对加工与材质严格检测, 可实现各个零配件的完全匹配。  
Our technology is from Germany, Each spare parts are under strictly material testing and processing, which makes the spare parts could match each other perfectly.



### 3. 稳定性强 / Strong stability

好的材质, 高的精度, 严格的热处理与表面处理工艺为产品的性能与寿命提供了有力的保障  
Good material, high precision, strict treatment and surface provide a strong guarantee of products' performance and life



### 4. 交期快 / Prompt delivery

常规产品公司常年备有大量的现货库存  
Standard spare parts have enough stock in warehouse all year round.



### 5. 服务有保障 / Services Guaranteed

帕普公司所售产品均享有质量“三包”服务, 为客户提供可靠放心的产品是我司的服务宗旨  
All products sold by PAPU Pump enjoy quality Guarantee



### 6. 灵活性强 / Flexibility

对于一些不知型号的或特殊的单螺杆泵产品可量身定制  
If you have special spare parts for single screw pump, we can offer customized service to design and develop them specifically for you.

## 泵的应用 APPLICATIONS & SOLUTIONS



### SLUDGE TREATMENT AND ENVIRONMENTAL ENGINEERING

#### ● 污水环处理和环境工程

帕普泵可输送原生污泥，稠泥，脱水污泥，电解质，废气处理污水，石膏  
PAPU pumps can convey primary sludge, secondary sludge, thickened sludge, watered sludge, polyelectrolyte, alum, flue gas cleaning-waste water, gypsum, slurries



### PULP AND PAPER WOOD

#### ● 造纸和木材加工

用来输送乳胶，石灰浆，纤维素，添加剂，淀粉，钛白粉，明矾，水玻璃，苏打，胶水  
PAPU pump can convey latex, lime, paper suspension, cellulose additives, starch, TiO<sub>2</sub>, Titan-Dioxide, alum, water glass, soda, glue



### FOOD INDUSTRY

#### ● 食品行业

用来输送面团，棕榈油，橄榄油，冰激凌，果酱，蜂蜜，肉酱，香肠，土豆渣，焦糖，软糖，芥末，番茄酱，宠物食品  
It is used to transport dough, palm oil, olive oil, ice cream, jam, honey, meat sauce, sausage, potato dregs, caramel, fudge, mustard, tomato sauce, pet food.



### PHARMACEUTICAL AND COSMETICS INDUSTRY

#### ● 制药及化妆品行业

帕普泵用来输送霜剂，添加剂，凝胶体，香波，油膏  
PAPU pump can convey cream, additives, gel, shampoo, ointments



### DYE AND PAINT INDUSTRY

#### ● 染料及油漆业

帕普泵用来输送乳胶漆，油漆，颜料，各种色粉，助剂等  
PAPU pump can convey emulsion, paint, pigments, colors, additives

### PETROCHEMICAL INDUSTRY

#### ● 石化行业

主要输送原油，润滑油，矿物油，油泥，淤泥，焦油，水油乳化物，稠油，石蜡  
PAPU pump can convey crude oil, lubricant oil, mineral oil, oil slurries, refinery sludge, tar, additives, water-oil emulsion, heavy oil, paraffins.



### WINE AND BEVERAGE

#### ● 酿酒及饮料业

用来输送啤酒，酒糟，麦芽汁，酵母，果浆，果汁，浓缩饮料，香精，添加剂  
PAPU pump can convey beer-mash, malt grains, wort, yeas, fruit juice, fruit mash, beverage, concentrates, flavour, additives.



### CHEMICAL INDUSTRY

#### ● 化工行业

主要用来输送各类无机酸，碱，添加剂，悬浮液，污泥等  
PAPU pump can convey acid, lye, additives, suspension, sludge



### BUILDING AND MINING

#### ● 建筑行业和采矿业

用来输送混凝土，膨润土，碎石，沙子，石灰，石灰悬浮液  
PAPU pump can convey concrete bentonite grave and sand, plaster, gypsum suspension.



### AGRICULTURE

#### ● 农业中输送

液体肥料，宠物液体食品，生物制品等  
PAPU pump can convey liquid manure, liquid pet food, biomass



我们可为您提供  
WHAT CAN WE SUPPLY

**1** 各种进口品牌单螺杆泵通用配件;  
WE CAN SUPPLY STANDARD REPLACEABLE SPARE PARTS OF BELOW BRANDS:

**NETZSCH**

**Mono<sup>®</sup>**

**seepex<sup>®</sup>**

**ALLWEILER**

**Wangen  
PUMPEN**

**MOYNO<sup>®</sup>**

**2** 全系列帕普单螺杆泵产品  
FULL RANGE PAPU SINGLE SCREW PUMP PRODUCTS



**3** 污泥切碎机  
GRINDING MACHINE



**4** 量身定制的单螺杆泵产品  
CUSTOMIZED DESIGN SINGLE SCREW PUMP

**5** 来样加工的单螺杆泵配件  
OEM & ODM SINGLE SCREW PUMP SPARE PARTS AS SAMPLE

**6** 单螺杆泵产品的安装调试及技术改造方案  
TECHNICAL IMPROVEMENT AND TESTING OF SINGLE SCREW PUMP

